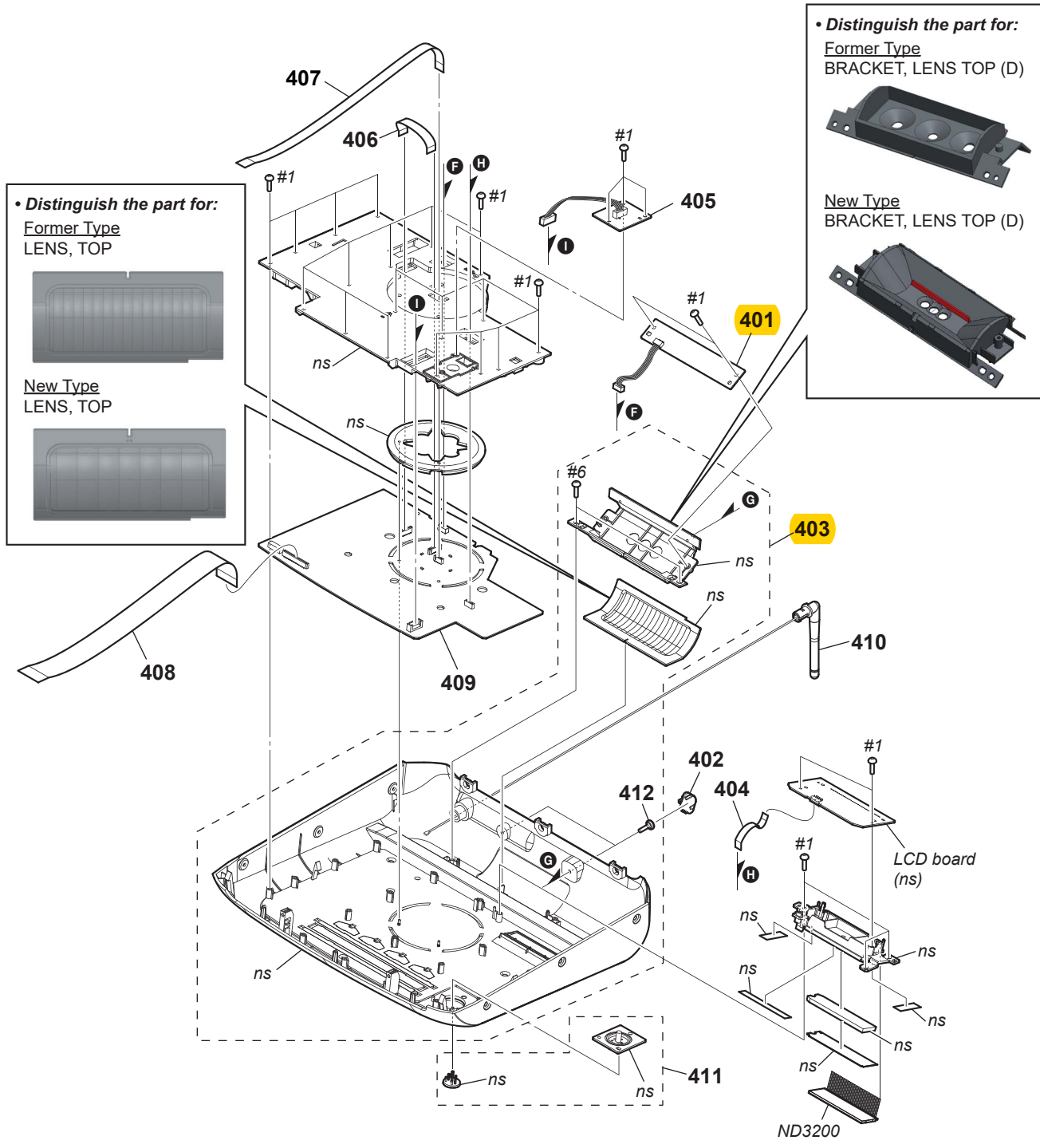


# MHC-V77W/V77DW

Ver. 1.6

## 7-9. TOP PANEL SECTION



**Note 1:** When replacing SERVICE, PANEL TOP ASSY from former type to new type, be sure to replace new SPK PARTY LED board simultaneously.

**Note 2:** If wire (flat type) is replaced, install it after bending it in the same form as that before replacement.

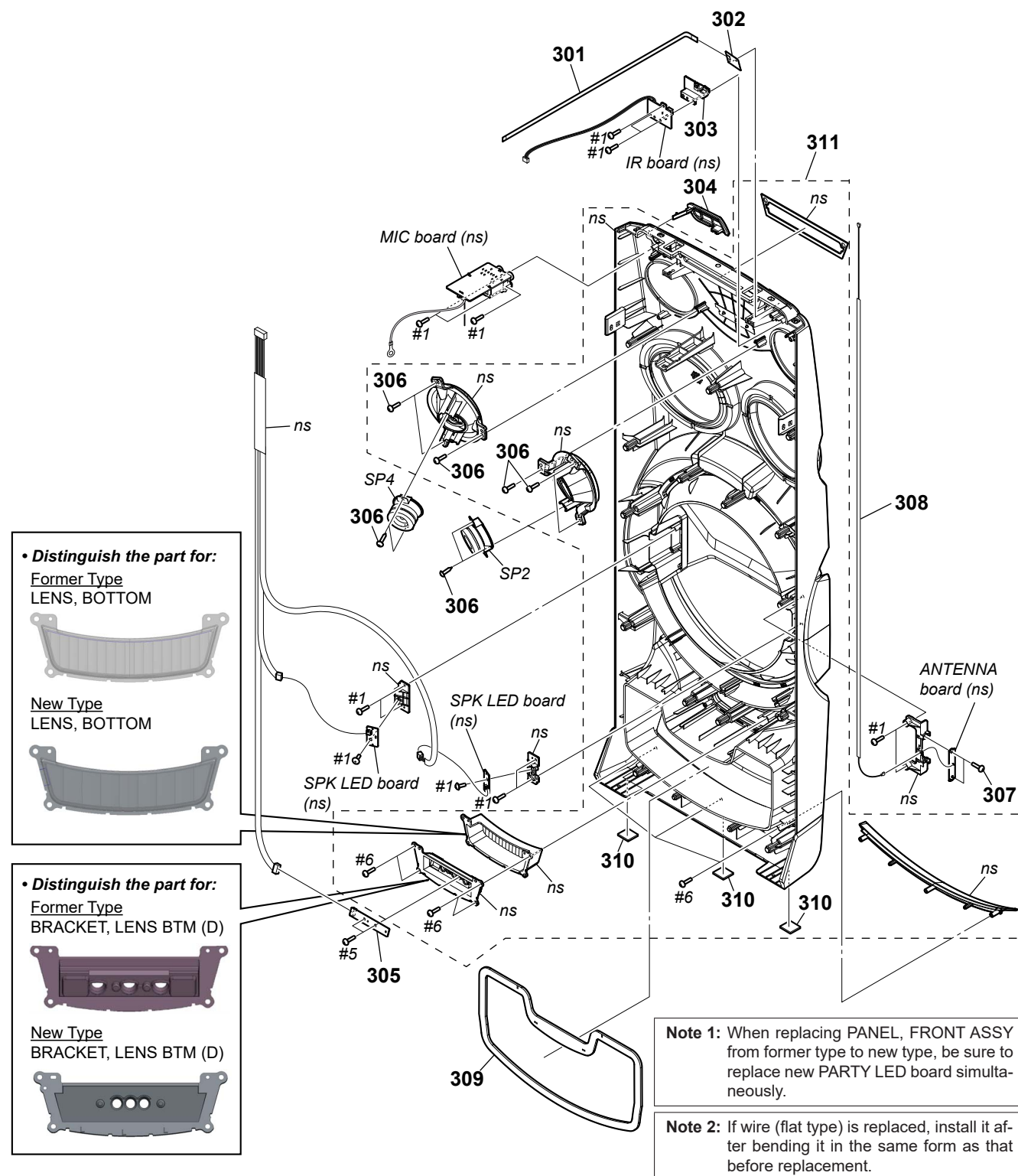
Ref. No.	Part No.	Description	Remark
401	A-2092-728-A	SPK PARTY LED BOARD, COMPLETE	
401	A-2193-531-A	SPK PARTY LED BOARD, COMPLETE	(former type) (See Note 1) (new type) (See Note 1)
402	4-591-427-01	COVER, SCREW	
403	A-2166-458-A	SERVICE, PANEL TOP ASSY (V77DW)	(former type) (See Note 1)
403	A-2196-177-A	SERVICE, PANEL TOP ASSY (D) (V77DW)	(new type) (See Note 1)
403	A-2188-590-A	SERVICE, PANEL TOP ASSY (V77W)	(former type) (See Note 1)
403	A-2197-669-A	SERVICE, PANEL TOP ASSY (D) (V77W)	(new type) (See Note 1)

Ref. No.	Part No.	Description	Remark
404	1-849-860-11	WIRE (FLAT TYPE) (7 CORE)	
405	A-2121-754-A	POWER BUTTON BOARD, COMPLETE	
406	1-849-861-11	WIRE (FLAT TYPE) (13 CORE)	
407	1-849-858-11	WIRE (FLAT TYPE) (7 CORE)	
408	1-849-859-11	WIRE (FLAT TYPE) (29 CORE)	
409	A-2178-560-A	SENSOR BOARD, COMPLETE	
410	1-754-993-11	DUAL-BAND DIPOLE ANTENNA	
411	X-2593-464-1	BUTTON, POWER ASSY	
412	4-591-404-01	SCREW, TAPPING (FLAT HEAD)	
ND3200	1-493-124-11	LIQUID CRYSTAL DISPLAY	
#1	7-685-646-71	SCREW +BVTP 3X8 TYPE2 IT-3	
#6	7-685-648-79	SCREW +BVTP 3X12 TYPE2 IT-3	
ns		not supplied	

# MHC-V77W/V77DW

Ver. 1.6

## 7-7. FRONT PANEL SECTION



Ref. No.	Part No.	Description	Remark	Ref. No.	Part No.	Description	Remark
301	1-849-865-11	WIRE (FLAT TYPE) (6 CORE)		311	X-2593-460-2	PANEL, FRONT ASSY (V77DW)	
302	8-989-602-00	RC-S730 (WW)				(former type) (See Note 1)	
303	4-591-391-01	COVER, MIC		311	X-2595-525-2	PANEL, FRONT ASSY (D) (V77DW)	
304	4-591-387-01	WINDOW, IR				(new type) (See Note 1)	
305	A-2092-726-A	PARTY LED BOARD, COMPLETE	(former type) (See Note 1)	311	X-2594-672-1	PANEL, FRONT ASSY (UC2) (V77W)	
						(former type) (See Note 1)	
305	A-2193-530-A	PARTY LED BOARD, COMPLETE	(new type) (See Note 1)	311	X-2595-527-2	PANEL, FRONT ASSY (UC2-D) (V77W)	
						(new type) (See Note 1)	
306	4-874-614-02	SCREW (1) (3.5X14), TAPPING		SP2	1-859-191-11	LOUDSPEAKER (37MM) (Tweeter) (L-CH)	
307	3-087-053-01	+BVTP2.6 (3CR)		SP4	1-859-191-11	LOUDSPEAKER (37MM) (Tweeter) (R-CH)	
308	1-971-356-31	HARNASS, COAXIAL (720MM)		#1	7-685-646-71	SCREW +BVTP 3X8 TYPE2 IT-3	
309	4-591-415-01	PACKING, DUCT		#5	7-685-645-71	SCREW +BVTP 3X6 TYPE2 IT-3	
				#6	7-685-648-79	SCREW +BVTP 3X12 TYPE2 IT-3	
310	4-578-508-01	FOOT		ns		not supplied	