

BLOMBERG BRFD2650SS ICE MAKER DOES NOT MAKE ICE CUBES SUFFICIENTLY

SUBJECT – PROBLEM OBSERVED <ul style="list-style-type: none">BLOMBERG BRFD2650SS ICE MAKER DOES NOT MAKE ICE CUBES SUFFICIENTLY Spare Part: 4390002900 Control Board V3 R26	BULLETIN NO	RF_2014_085
	ISSUE DATE	05.08.2014
	PREPARED BY	Ömer ÜNAL
	APPROVED BY	Biröl KONAK

EXPLANATION

- This bulletin is prepared to describe service intervention steps when there is a customer complaint on ice making performance of BRFD2650SS 4 Doors refrigerators.
- If there is a customer complaint on ice maker performance (is not producing enough ice cubes) software version and revision should be checked from display unit. When the appliance is first energized, software version and revision is displayed for 3 seconds on FF set and multi zone set areas of display unit. Software of refrigerator is should be V3 R26 and higher (V3 R27-28...). Control board should be changed if the software is older than V3 R26. It can be also seen on the control board label as shown Figure 4. When changing the electronic board, it should always be controlled by taking measures such as ESD protected wrist strap, heel protector, etc.



Figure 1. Software version and revision information on the display unit when the refrigerator is plugged in

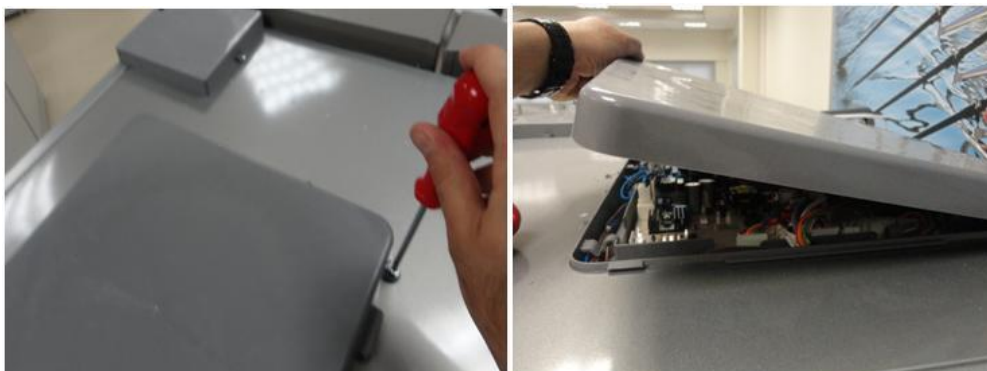


Figure 2. Unscrew PT 4*12 screws to open control board cover

BLOMBERG BRFD2650SS ICE MAKER DOES NOT MAKE ICE CUBES SUFFICIENTLY

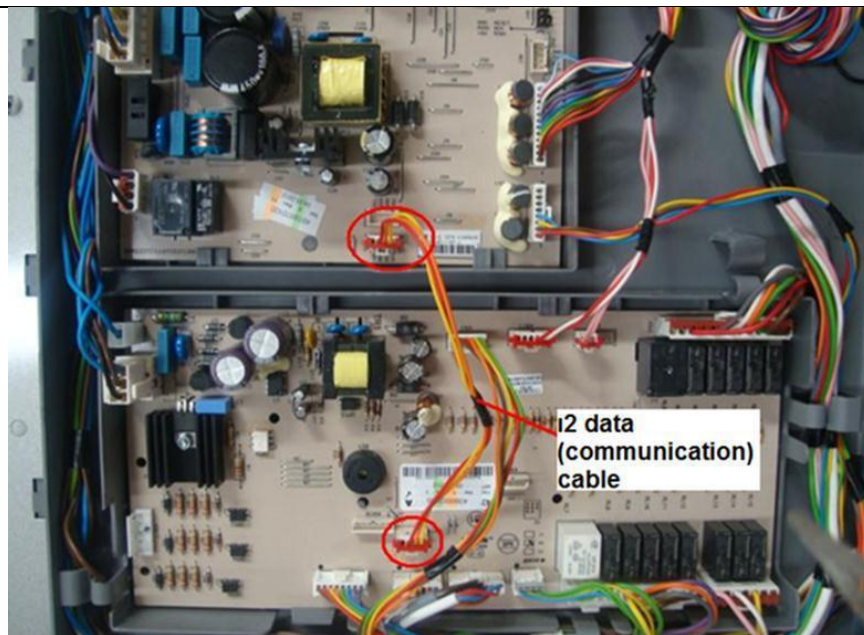


Figure 3. Remove the control board and additional board socket connections of the I2 data (communication) cables.

SPARE PART CODE: 4390002900 Control Board V3 R26

FIRST PRODUCTION DATE WITH THIS SOFTWARE: 26.09.2013 (First serial production)

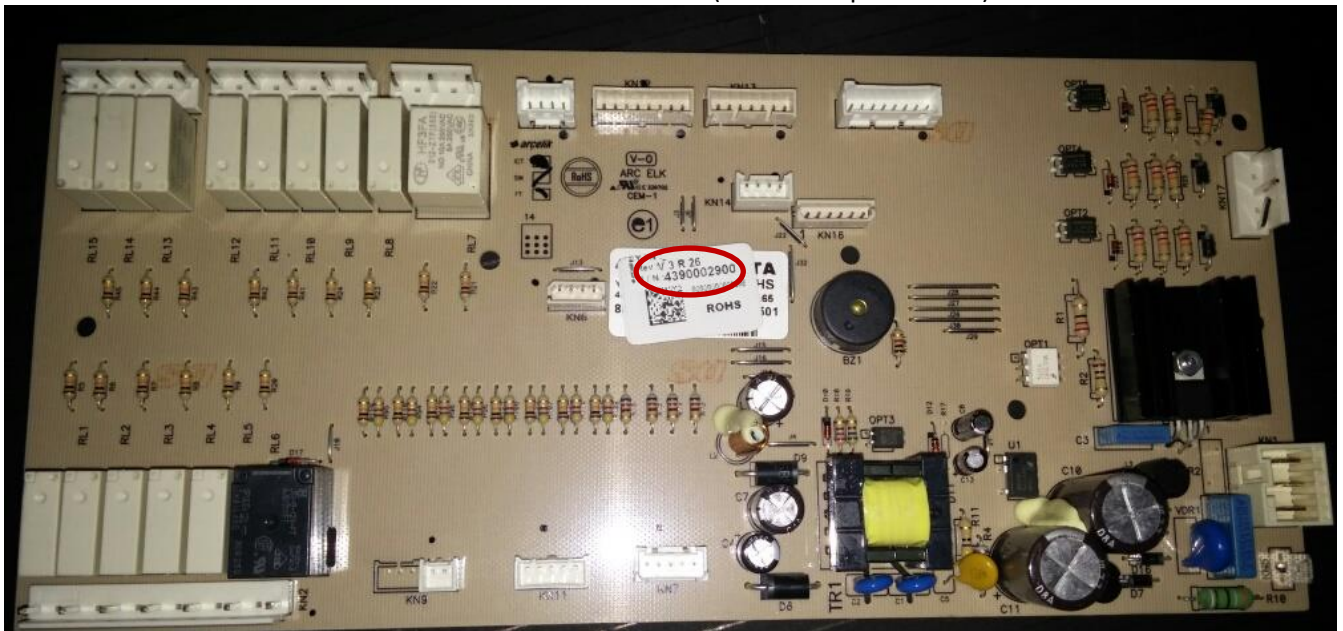


Figure 4. 4390002900 Control Board V3 R26